



# Teenage Shelters



**NG-S-007** | Double shelter  
with mesh panels  
L 2.0m W 1.7m H 2.5m

StreetWise teenage shelters offer you a flexible range of durable, cost effective products to suit your specific requirements.

StreetWise shelter products can be used to offer shade for younger children or to create social gathering centres for teenagers.

You can specify StreetWise shelters as an integral part of an outdoor sports scheme, offering spectator viewing and rest facilities. Shelters can be used as a stand-alone item or be installed into the perimeter sports fencing.



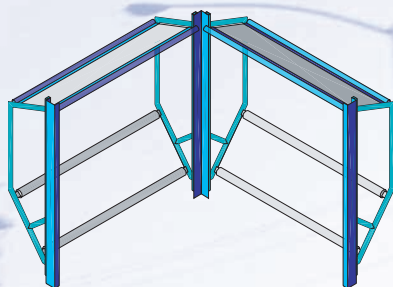
Outdoor Sports Equipment



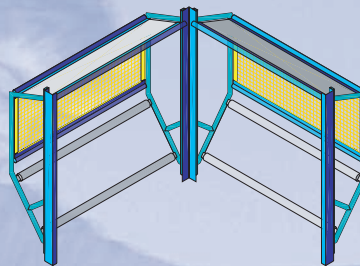
**NG-S-004** | Single shelter  
L 2.0m W 0.9m H 2.5m



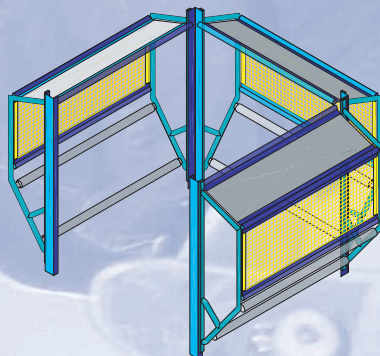
**NG-S-007** | Double shelter with mesh panels  
L 2.0m W 1.7m H 2.5m



**NG-S-008** | L shaped shelter  
L 2.9m W 2.9m H 2.5m

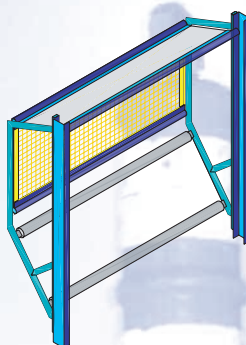
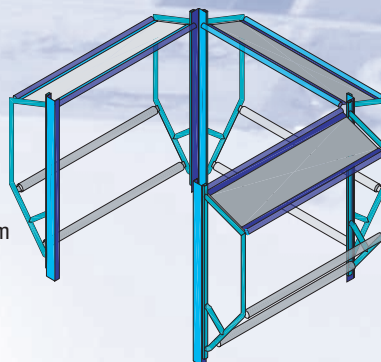


**NG-S-009** | L shaped shelter with mesh panels  
L 2.9m W 2.9m H 2.5m



**NG-S-011** | Three sided shelter with mesh panels  
L 3.8m W 2.9m H 2.5m

**NG-S-010** | Three sided shelter  
L 3.8m W 2.9m H 2.5m



**NG-S-005** | Single shelter with mesh panel  
L 2.0m W 0.9m H 2.5m



**NG-S-006** | Double shelter  
L 2.0m W 1.7m H 2.5m

Street Design Limited  
Bridge House  
Hathernware Industrial Estate  
Normanton-on-Soar  
Leicestershire LE12 5EH

Tel: +44(0)1509 646464  
Fax: +44(0)1509 646465

email: streetdesignltd@btinternet.com  
www.street-design.com

**street**  
design

WORKS WITH YOU

## Specification

### Material:

**Posts:** 125 x 65mm mild steel channel.

**Frames:** 48.3mm Ø mild steel circular hollow section x 3.2mm wall thickness, 60 x 6mm mild steel flat.

**Seat rails:** 88.9mm Ø mild steel circular hollow section x 3.2mm wall thickness.

**Mesh panels:** 50.8 x 50.8mm mild steel mesh x 4.7mm Ø wire.

**Safety rails:** 48.3mm Ø mild steel circular hollow section x 3.2mm wall thickness, 60 x 6mm mild steel flat.

**Roof panels:** 3mm over pattern mild steel durbar sheet.

### Finish:

All components are hot dip galvanised after

fabrication. Some components are polyester powder coated - see Standard colours.

### Standard colours:

(other colours available on request)

Posts - RAL 5010 Blue

Frames - RAL 5021 Green

Safety Rails - RAL 5010 Blue

Mesh panels - RAL 1003 Yellow

Seat rails - Galvanised

Roof panels - Galvanised

### Quality:

Street Design Ltd is an ISO 9001 accredited company. All StreetWise products comply fully with PAS 30: 1998, a British Standard product assessment specification. All StreetWise products are supplied with a 15 year guarantee.

Contact us for details of other products in our Outdoor Sports Equipment Range

Outdoor Sports Equipment

OUTDOOR  
INITIATIVE  
OFFICIAL  
SUPPLIER



Certificate No. A5778

